

# Beam Type Smoke Detector CKLD-KPT



## DESCRIPTION

Nittan has launched a New Beam Type Smoke Detector (CKLD-KPT), CKLD-KPT has been designed using an obscuration detection system in order to eliminate the effect of smoke colour for fire detection. As the CKLD-KPT detects the smoke obscuring its light axis spread over the whole monitored area, it can precisely detect the fire event in the early stages.

## ADVANTAGE

- Wide range of monitoring distances. 5m to 100m
- Effective for open air space such as atria and exhibition sites etc.
- Reduce false alarms caused by transient or local smoke such as cigarette.
- Sensitive against smoke spread around a wide area compared to ordinary point type smoke detectors.
- Drift Compensation function.
- Low Current Consumption.
- Not susceptible to light noise.

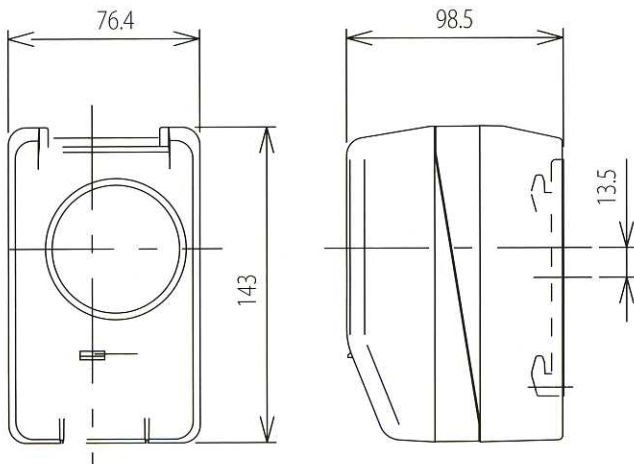
## Remote Station for CKLD-KPT

- This Remote Station is intended to be mounted at a low level, allowing functional testing of a high level mounted Beam Type Smoke Detector to be carried out.
- Operational test
  - Signal Monitoring
  - Maintenance friendly operation
  - Fault/Trouble signal (given at 50% of primary level)

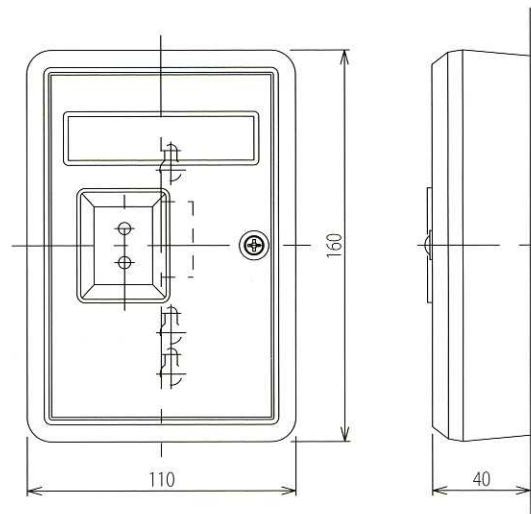


# Dimensions

## CKLD-KPT



## LPO4,05



# Specifications

Description	CKLD-KPT	LP04	LP05
Type	Beam type smoke Detector	Remote station	
Monitoring Distance	from 5m to 100m	N/A	N/A
Rated Voltage	DC24V	Lin-Cin: DC24V +24V-24G: DC24V	Lin-Cin: DC24V LD+-Cin: DC24V
Supervising Current	760 $\mu$ A	Lin-Cin: 0mA +24V-24G: 15mA	Lin-Cin: 0.8mA LD+-Cin: 0mA
Rated Current	in fire 65mA L-C Main power 65mA K-C Trouble line	Lin-Cin: 65mA +24V-24G: 60mA	Lin-Cin: 65mA LD+-Cin: 6mA
External wiring resistance	N/A	less than 50 ohm	less than 20 ohm
End of Line Device	CRE	CRE	CRE
Applicable Cable	Diameter 0.9mm to 1.2mm (sigle core)	Diameter 0.65mm to 1.6mm (sigle core)	
Number of unit per control panel	-	3 units	1 unit
Detection method	Obscuration	N/A	N/A
Adjustment range	horizontal 10 deg vertical 10 deg	N/A	N/A
Material	Body Flame-retardant plastic Lense PC Base SPC t1.6	Flame-retardant plastic	
Weight	Transmitter 485g Receiver 506g	N/A 309g, (216g recess)	N/A 284g, (192g recess)
Ambient temperature [°C]	-10 to +50	-10 to +50	

**FOR YOUR SAFETY** Read manual carefully before using

This document may be subject to change without any prior notice.

DISTRIBUTOR

## NITTAN COMPANY, LIMITED

1-11-6, Hatagaya, Shibuya-ku, Tokyo 151-8535, Japan  
Tel: 81-3-3468-1127 Fax: 81-3-3468-1129  
E-mail Address: nkint@nittan.com